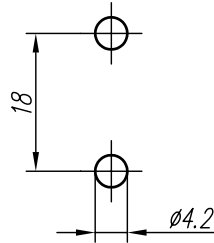
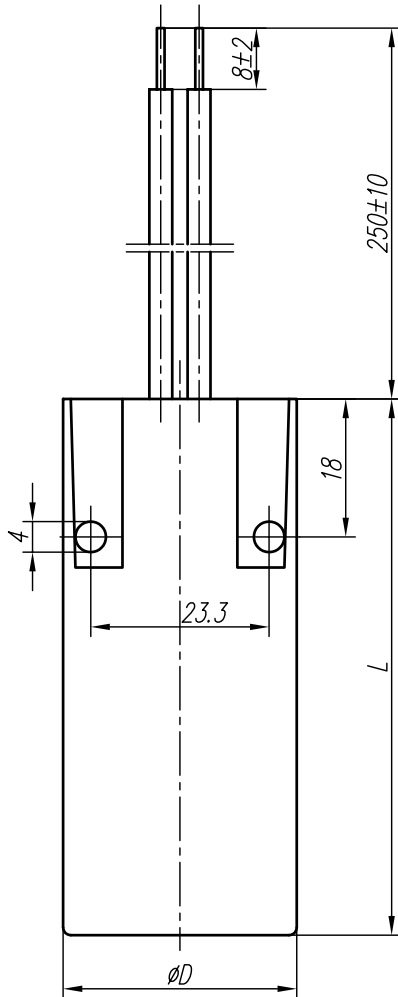
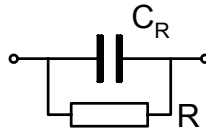


AC METALLIZED POLYPROPYLENE FILM CAPACITORS FOR USE IN DISCHARGE LAMP CIRCUITS (TYPE A)

Version 9



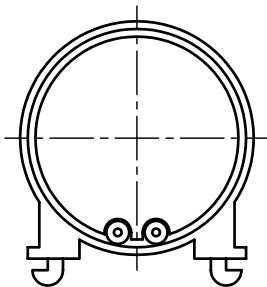
Mounting holes



Capacitor dimensions

Item	Rated capacitance μF	Capacitor dimensions			
		without fuse		with thermal fuse	
		D_0^{H} mm	$L \pm 2$ mm	D_0^{H} mm	$L \pm 2$ mm
1.	3	25	57	25	57
2.	3,5	25	57	25	57
3.	4	25	70	25	70
4.	4,5	25	70	25	70
5.	4,5*	30	70	30	70
6.	5	25	70	25	70
7.	5,5	25	70	25	70
8.	6	25	70	25	70
9.	6*	30	70	30	70
10.	6,3	30	70	30	70
11.	6,5	30	70	30	70
12.	7	30	70	30	70
13.	7,5	30	70	30	70
14.	8	30	70	30	70
15.	9	30	70	30	70
16.	10	30	70	30	70
17.	12	30	95	30	95
18.	12*	30	70	-	-
19.	12,5	30	95	30	95
20.	12,5*	30	70	-	-
21.	13	30	95	30	95
22.	13*	30	70	-	-
23.	13,5	30	95	30	95
24.	13,5*	30	70	-	-
25.	14	30	95	30	95
26.	14*	30	70	-	-
27.	15	30	95	30	95
28.	16	30	95	30	95
29.	18	35	95	35	95
30.	20	35	95	35	95

* Not preferred for new customer's designs.
Other dimensions and capacitances from the given range are available on the customer's request.



TECHNICAL DATA:

- Capacitance tolerance:
- Rated voltage:
- Rated frequency:
- Temperature range (temp of capacitor surface):
- Climatic category:
- Relative humidity in capacitor's ambience at 20 ± 25 °C:
- Dewing of capacitor:
- Dissipation factor ($\text{tg } \delta$):
- Dielectric strength:
 - between terminals
 - between terminals connected together and case
- Case:
- Specifications:
- The capacitors meet the requirements of:
- Safety approval:

- $\pm 10\%$,
- 250V/50Hz,
- 50 - 60Hz,
- $-40 \div 85$ °C,
- 40/085/10 acc. to EN 60068-1,
- 65% mean annual value,
- 85% max value during 30 days,
- not allowed,
- ≤ 0.003 at 50Hz / 250VAC,
- $2U_R - 60s$,
- 2.5kV / 50Hz - 60s,
- plastic case,
- WT-03/MIFLEX/MKSP-025 and MKSP-025P,
- EN 61048/A2, EN 61049,
- Polish safety mark "B",
- ENEC certificate.

This product fulfils the requirements of the RoHS Directive (2002/95/EC).