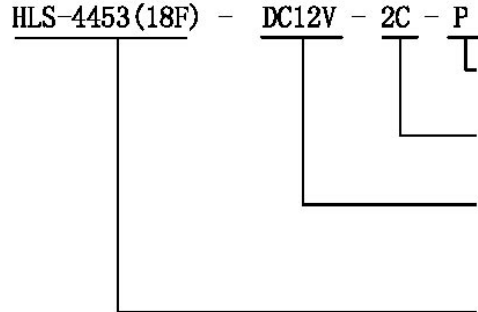




HLS-4453(18F)-2 Series Relay

ORDERING CODE 订购代码



TERMINAL TYPE
 NIL....PLUG IN P...PBC
CONTACT FORM
 2C:2FORM C 3C:3FORM C 4C:4FORM C
NOMINAL VOLTAGE
 DC5V,DC6V,DC12V,DC24VDC48V
 AC6V,AC12V,AC24V,AC48V,AC120V,AC240V
TYPE

CONTACT DATA : 触点参数 :

Contact Form	触点形式	2C/3C/4C
Contact Material	触点材料	AgCdO
Contact Ratings	触点负载	5A 240VAC/30VDC
Max Switching Voltage	最大转换电压	250VAC/30VDC
Max Switching Current	最大转换电流	7A
Max Switching Power	最大转换功率	1750VA/210W
Initial Contact Resistance	接触电阻 (首次)	100m Max at 6VDC 1A
Life Expectancy Electrical	电气寿命	100,000 Operations(rated load)
Life Expectancy Mechanical	机械寿命	10,000,000 Operations(no load)

GENERAL DATA : 一般参数:

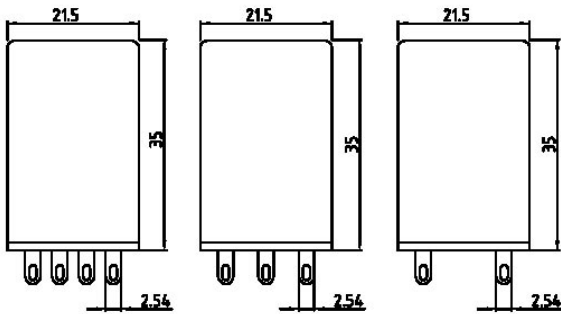
Insulation Resistance	绝缘阻值	100M min at500VDC
Dielectric Strength Between Open Contacts	触点间耐压	1000VAC 50-60HZ (1 minute)
Dielectric Strength Between Contacts And Coil	触点与线圈间耐压	1500VAC 50-60HZ (1 minute)
Operate Time	吸合时间	25ms max
Release Time	释放时间	25ms max
Ambient Temperature	环境温度	-40 to+70
Shock Resistance 冲击	Malfunction 动作极限	20G
	Destruction 破坏极限	100G
Vibration Resistance	振动	10-55Hz,1.5mm double amplitude
Ambient humidity	湿度	40-85% RH
Weight	重量	Approx 32g
Safety Standard	安全标准	CQC

COIL DATA: 线圈参数: (@20)

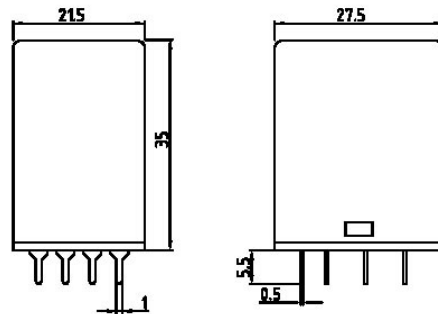
Rated Voltage 额定电压 (VDC)	DC Coil			AC coil		
	Coil Resistance 线圈阻值 (± 10%)	Max Operate Voltage 最大吸合电压 (VDC)	Min Release Voltage 最小释放电压 (VDC)	Coil Resistance 线圈阻值 (± 10%)	Max Operate Voltage 最大吸合电压 (VDC)	Min Release Voltage 最小释放电压 (VDC)
5	32	3.75	0.5	-	-	-
6	40	4.5	0.6	10.5	4.8	1.8
12	160	9	1.2	43	9.6	3.6
24	650	18	2.4	160	19.2	7.2
48	2600	36	4.8	668	38.4	14.4
120	-	-	-	3900	96	36
240	-	-	-	13000	176	72

Outline Dimension 外形尺寸 (mm)

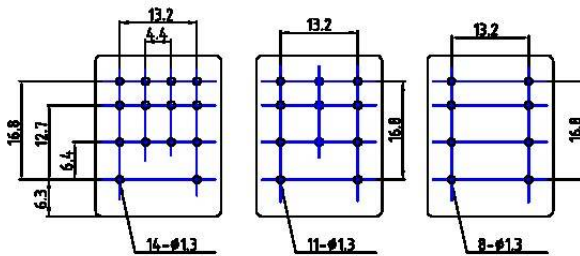
Plug-In Terminal 插拔式



PCB Terminal 印刷线路板式

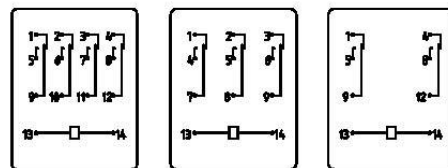


PC Board layout 安装图



(Bottom View)

Wiring Diagram 接线图



(Bottom View)