



MAIN FEATURE

- 24vac, 230vac power supply
- 3.5" tft color touch screen
- Humidity sensor, Ambient light sensor
- Wi-Fi connective(**option**)
- Geo-fence
- Hotwater control
- 7 day, weekday/weekend, 24hours schedule
- Four or six events per day
- Auto sync time and date
- Automatically adjusts to daylight saving time
- Temperature control range 5°C - 45°C
- History data tracking diagram(Up to 4 weeks)
- Energy consumption statics
- Defrost protection
- Modbus RS485 ,modbus TCP(**option**)
- Work mode: Holiday, Home/Away, Boost(Hold)
- Multi language(9 languages)
- C/F temperature display
- 12/24 hours
- Touch screen lockout

TECHNICAL DATA

Purpose Of Control	Boiler/Valve/Underfloor Water/electric heating system
Supply Voltage	24vac, 230 VAC 50/60 HZ
Relay Rating	230VAC @5 Amp per relay; @16 Amp relay in electric heating model
Output Relay	SPST - NO
Display	320x480 pixels TFT, Capacitive touch screen
Communications	Modbus RTU , modbus TCP
Displayed Temperature Resolution	0.1°C
Control Temperature Step	0.2°C(default = 0.5°C)
Wire Size, Terminals	Current ≤ 5 A - 1.5 mm ² , solid core wire
Smart Schedule Type	7days, weekday/weekend, 24hours
Schedule Per Day	Up to seven different 4- or 6-event program
Standby Consumption	≤0.5 W
Wifi(Option)	IEEE 802.11 b/g/n - 2.4ghz
Security	WPA/WPA2
Operating Temperature	1° c- 85° C
Dimensions (W/H/D)	96 * 86 * 13.8 (mm)
Build-In Depth	24.5mm
Weight	≤200 g
Enclosure Rating	Ip 21
Enclosure Material	PC + ABS plastic
Alexa(Option)	Available
Google Home(Option)	

Approval

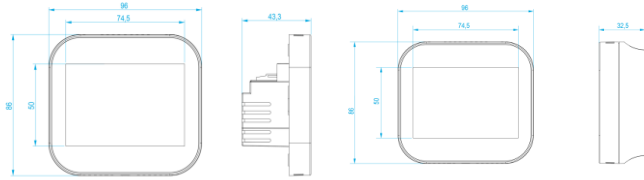
CE, FCC, RoHS,CA65

HOME SCREEN DISPLAY

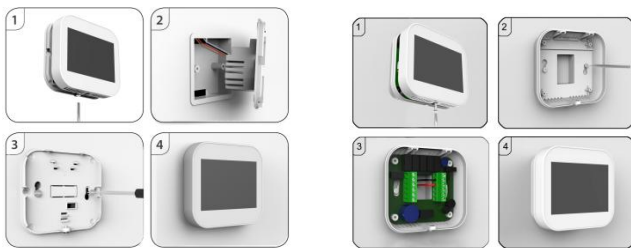


1 Wifi Indicator	9 Holiday
2 Histroy Data Diagram	10 Schedule
3 Adjusting The Optional Settings.	11 Configuration Menu
4 Day Indicator & Clock	12,13 Adjusting The Setting Temperature
5 Home/Away	14 Setting Temp Display
6 Hold Function	15 Room Temp Display
7 Huimidity	16 °C Or °F Display
8 Power On/Off	17 Heating Symbol

OUTLINE DIMENSION



INSTALLATION



PRODUCT MODEL

Model	System	Power supply	Heating Relay	Hot Water	External sensor	Wireless
HA	Boiler/Valve /Underfloor Water	230VAC	3 Amp	No	No	No
HE	Electric heating	230VAC	16 Amp	No	NCT10K/3950	No
HD	Boiler/Valve /Underfloor Water	5VDC (USB Power)	No	No	No	868Mhz
HW	Boiler/Valve /Underfloor Water	230VAC	3 Amp	Yes	No	No

CONFIGURATION SETTINGS

Language	English,Chinese ,Spain,Italian,Russian, Polish, Czech, German, French, Slovenski,Swedish,Portuguese
Date & Time	01) Time Zone 02) Date & Time 03) Daylight saving Time(DST)
Display Brightness	Ambient Light Diming
Screen Saver	Standby Screen 01) Time: 3min, 10min, Just night 02) Type: Clock , default, Off screen
Lock screen	4 number PIN
Network Settings	01) WiFi Setup 02) Pair to App 03) QR Code 04) Mac Address
Feature Settings	01) Temperature Format 02) Temperature Limit 03) Switch differential 04) Output delay 05) Away temperature 06) Defrost: enable/disable 07) Sensor option: Build in sensor Remote Air sensor Floor sensor only Build-in & floor sensor Remote Air & floor sensor 08) Humidity calibration 09) Energy Tariff 10) Open Window function 11) Floor temperature limit 12) Optimum start 13) Work mode selection: Thermostat Timer
Schedule	Weekday/Weekend 7 Days 24 Hours None
Hold Temperature	Hold time Hold setpoint
System Information	Version number, QR code

CUSTOMIZING SERVICE

- Logo on front panel
- Logo in boot screen
- User manual
- Package
- Firmware features
- Hardware
- Mobile App

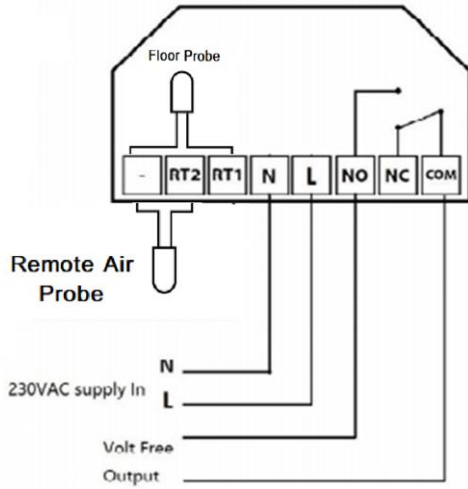
MOBILE APP



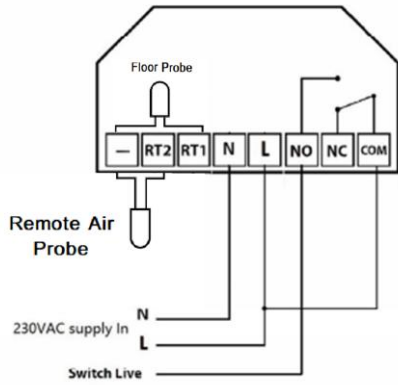
Wiring Diagram

Model MC6-HA

MC6-HA Volt free



MC6-HA Switch Live

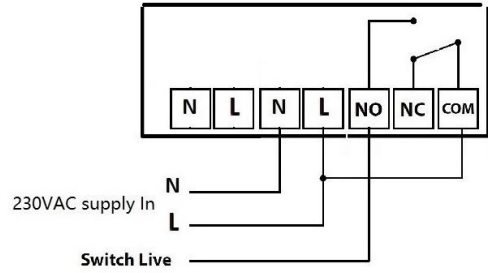


Model MC6-HD

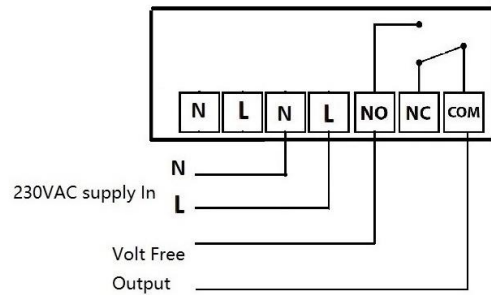
(USB power supply,WiFi and RF wireless)



Switch Live Output (16A current Max)

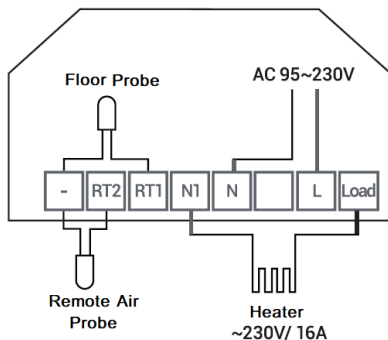


Volt free



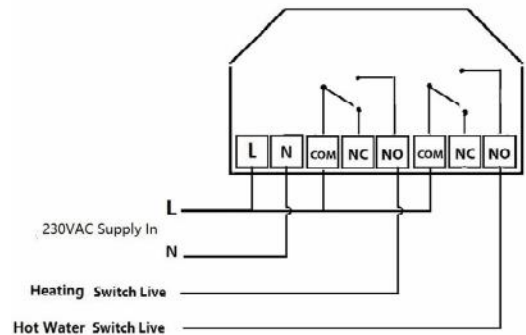
Model MC6-HE

MC6-HE



Model MC6-HW

MC6 -HW Wiring Diagram – Switch Live Output



MC6 -HW Wiring Diagram – Volt free

