



INSTRUCTION AND INSTALLATION GUIDE FOR TH-555 ELECTRONIC THERMOSTAT

INSTALLATION:

1. Look for a location which has a constant temperature in the house and it is not near the door entry or heater or air conditioning outlet. (see example on figure 1) However, it can be direct replace the old mechanical thermostat unit. (WARNING !!! you must turn off your main power switch before installation of the thermostat).
2. Disconnecting the front cover by using a screw driver pressing a hook on the top of the front cover. (see figure 2) Disconnecting the front cover and base with both hands (see figure 3).
3. Mount the base with the wire through the holes of the base and tighten the base with screws and screw driver on the wall (see figure 4).

FIGURE 1

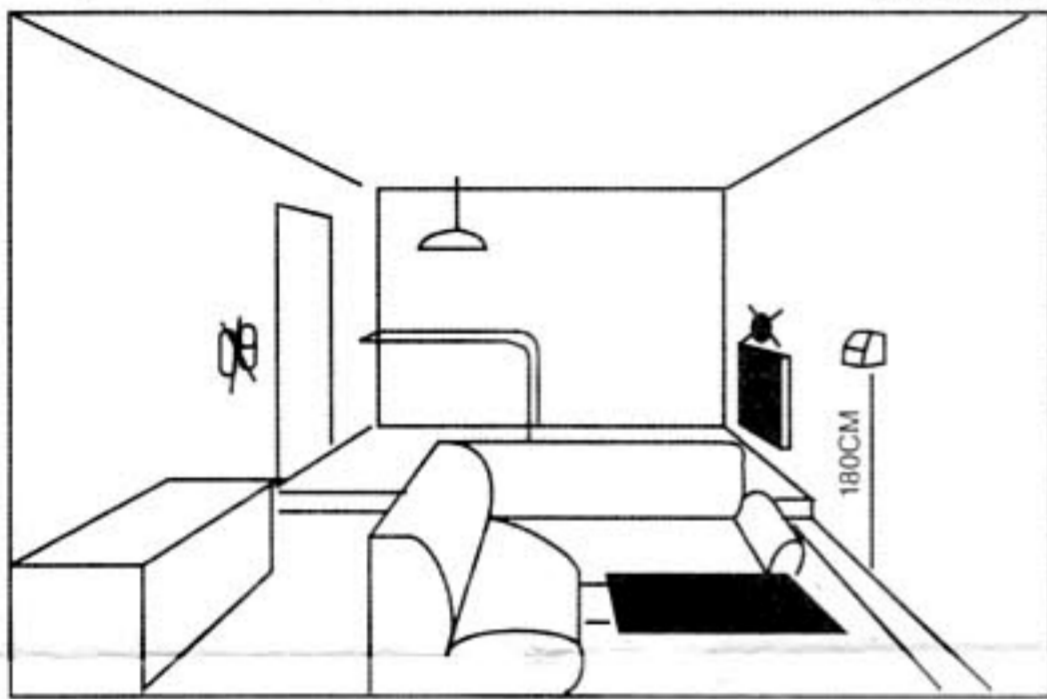


FIG 2

4. Install the wires into the terminal block with a screw driver to tighten the screw on top of terminal block. Before you install the wires, you must check with system wiring diagram on the back of the front cover or in following wiring diagram (see figure 5) if your system is other than this type please check with your local dealer or consult with a professional electrician.

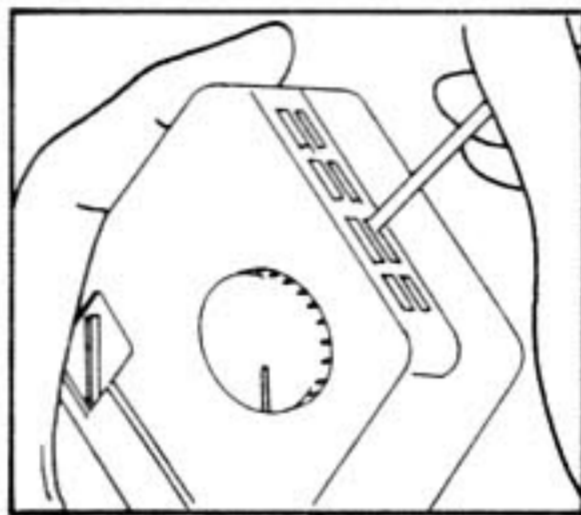


FIG 3

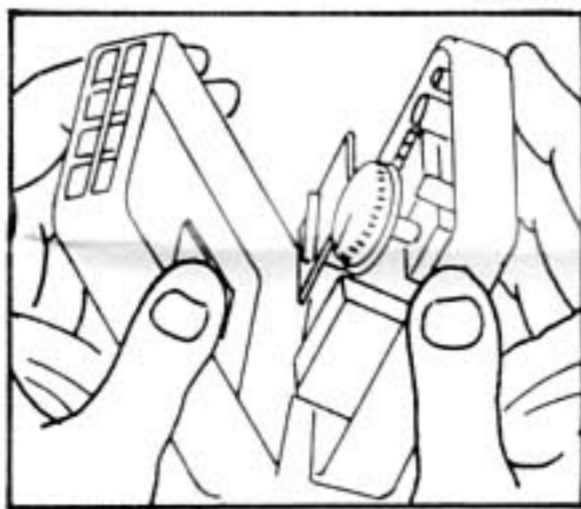
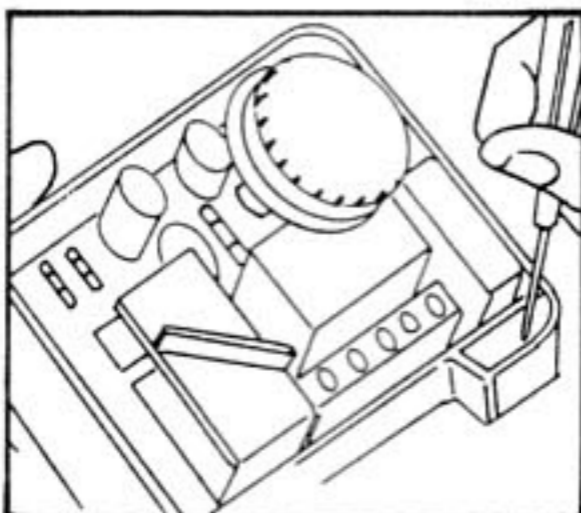


FIG 4

5. Select your system neither Heat or Cool through the jumper wire on base's PCB. The jumper selection can be checked the diagram on the back side of the front cover or following figure. (see figure 6.).

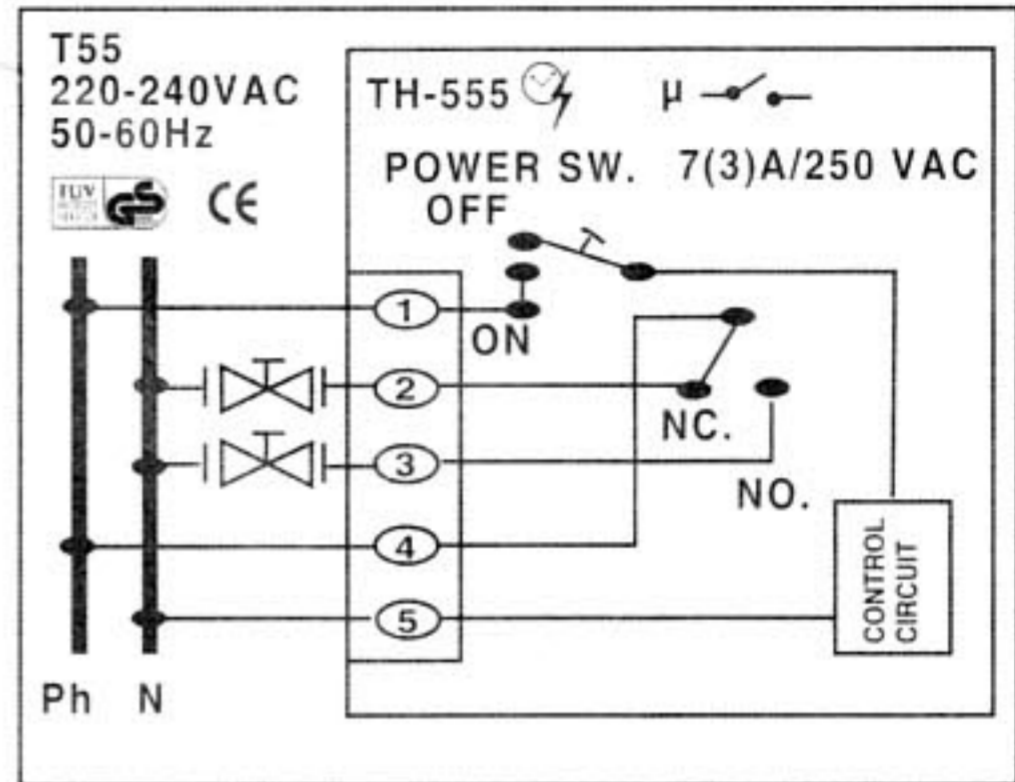


6. Cover the front cover back to the base and make sure the hooks on the base are locked with the front cover.
7. Before you turn on the main power switch please make sure the switch on the thermostat TH-555 is on OFF position. (e.g. downward position).

OPERATION:

8. After you turned the main power switch to on position, the RED LED (power on) indicator will not turn on.
9. Select your desire temperature through the temperature knob which is round with temperature dial from 5 to 30°C.
10. Switch your thermostat TH-555 into on position. (the switch is onto upward position, The POWER ON (RED LED) is lighted. The RED LED indicate the thermostat is turn on.

FIG. 5 SYSTEM WIRING DIAGRAM



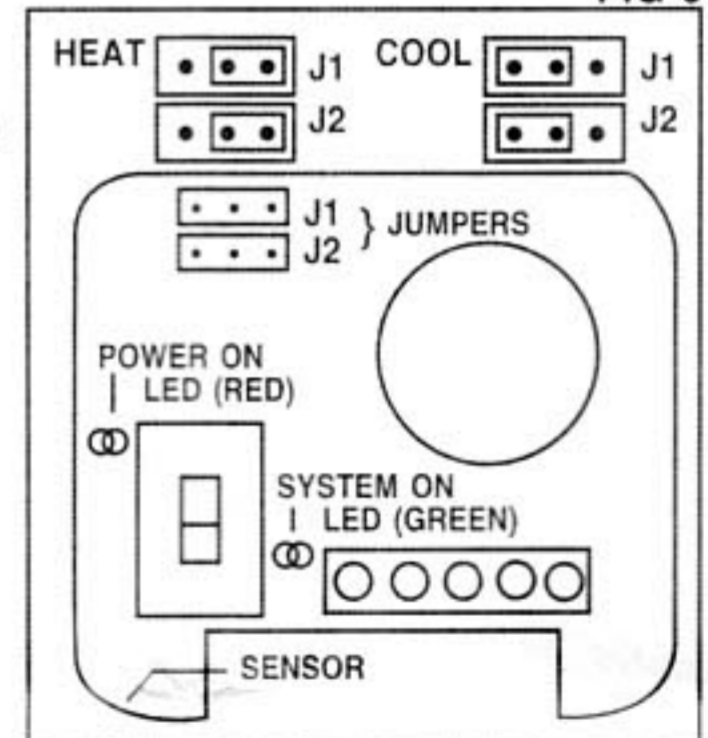
11. THE SYSTEM ON (GREEN LED) will turn ON automatically while the temperature is reached below 0.5°C of the set point and the LED turn OFF above 0.5°C of the set point for HEATING. For COOLING the LED will turn ON above 0.5°C of the set point and the LED will turn OFF below of the set point.

TEMPERATURE SENSOR:

12. This unit to fitted with highly sensitive temperature sensor. it is located at the lower left hand side of the unit (see figure 6).

it is recommended not to touch the sensor as it may cause an incorrect reading. If you have touched the sensor accidentally, allow the temperature to settle for a while as it will return to its normal temperature shortly after.

FIG 6



SPECIFICATION: INPUT: 220-250VAC 50-60Hz

OUTPUT RELAY CAPACITY: MAXIMUM 7 AMPS.

@ 250VAC NC/NO.

OPERATING ROOM TEMPERATURE RANGE: 5-30°C +/- 1°C.

DIFFERENTIAL: 0.5 K

Regulation by proportional band with easy to read dial indicator.

Temperature variation speed > 1k/15 minutes. Working class: II-100,000 cycles.

Anti-spark: according to EEC 82/499 directive.

Weight: 82 grams. Dimension: 75X75X31 mm.

UNIT HOUSING MATERIAL: ABS thermoplastic.