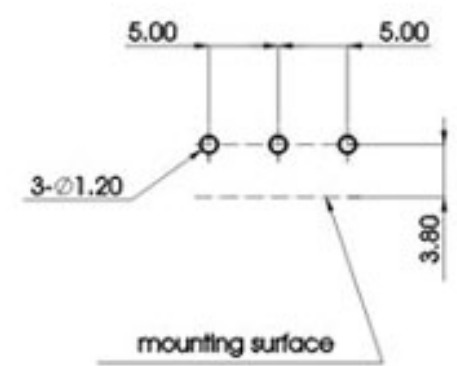
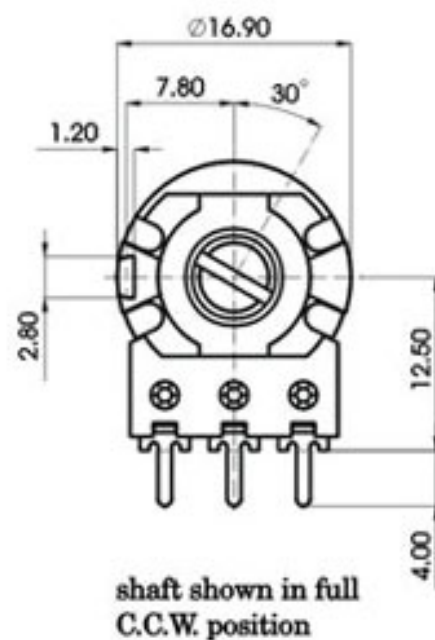
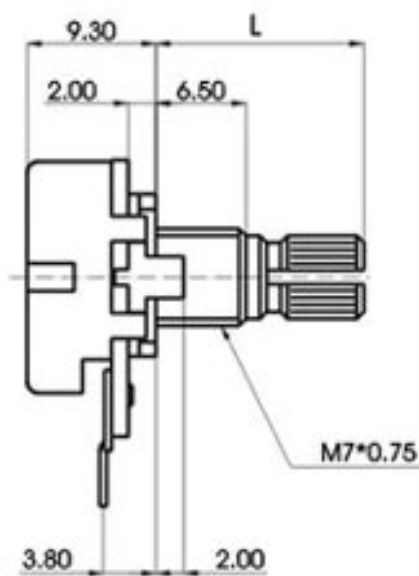
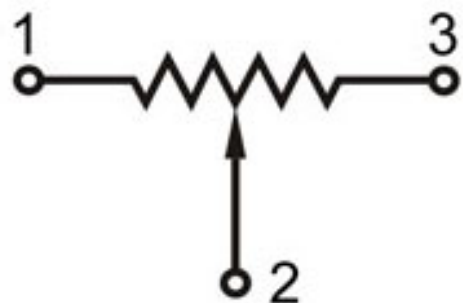




Circuit



Electrical Characteristics

Resistance Values	5 KOhm ~ 2 MOhm +/- 20%
Resistance Taper	A, B, C, D
Residual Resistance	0.1% max of total resistance
Rated Power	taper A, C, D = 0.06W taper B = 0.125W
Operating Voltage	taper A, C, D = 150V taper B = 200V
Insulation Resistance	100MOhm min @500V DC
Gang Error	3dB max

Mechanical Characteristics

Total Rotational Angle	300 deg +/- 5 deg
Rotational Torque	20 ~ 200 gf/cm
Rotational Stop Strength	7 kgf/cm
Push / Pull Strength	7 kgf/cm
Click Position	Center, 11, 21, 31, 41
Life	15,000 cycles