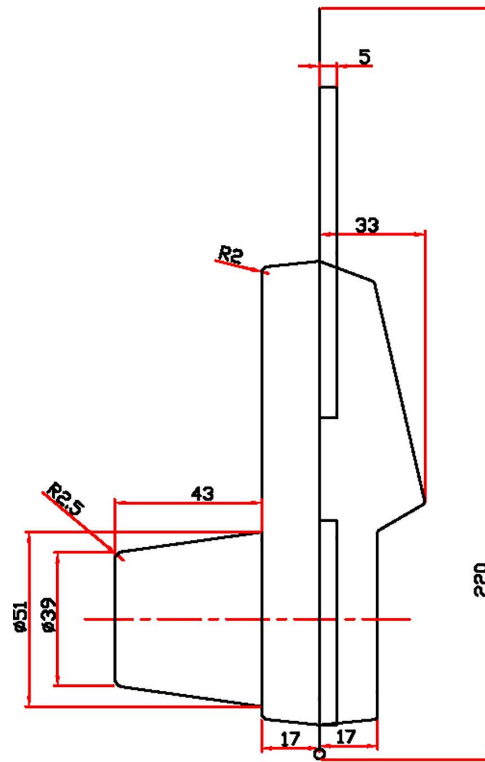
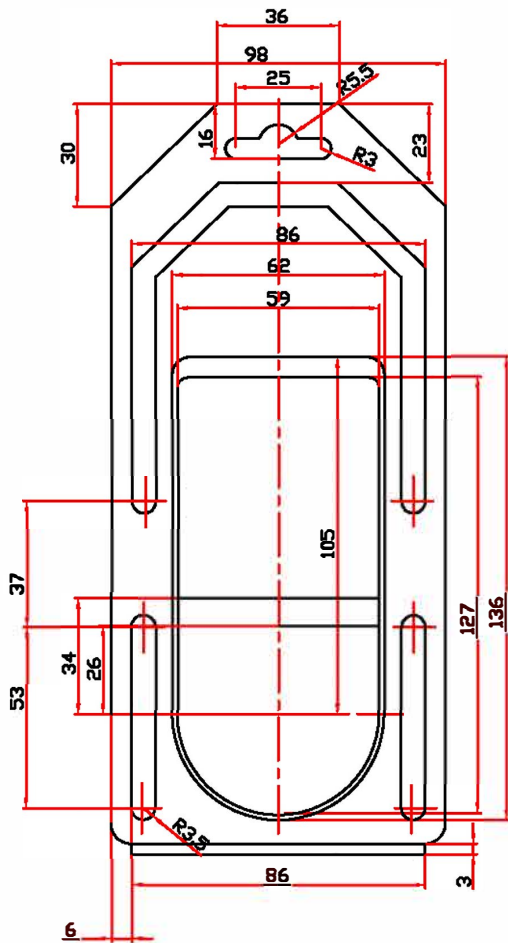


Type of equipment : Leakage Current Protector
Supplier item No. : CP-F1
Customer item No. : L161
Manufacturer :
Manufacturing site :
Action time : ≤30 mS
Action leakage current : ≤30 mA
Power supply : 220-240VAC / 50Hz Max.3680W
Product size(LxWxH cm) : 5.8*8.9*13
Product weight (kg) : 0.18
Product size with blister : 9.8*10*22
QTY in carton : 10PCS/INNER CARTON 50PCS/MASTER CARTON
Inner carton size(LxWxH cm) : 42*29.5*10.5
Master carton size(LxWxH cm) : 56*44*31.5
G.W. / N.W. (KGS) : 12.3 / 8.3

It can be used cyclically

It's a safety device of earth-fault protection for electric appliances

In case of electric leakage,it can automatically cut off the power supply and keep the human body safety



The technical requirements

1. Plastic parts shall not have bubbles, shrinkage, flaps and other defects
2. No tolerance entry level 12

旧图总号

底图总号

日期 签字

| | | | | | | | | |
|------|----|------|----|----|------|----|----|----|
| 更改标记 | 数量 | 文件号码 | 签字 | 日期 | 吸塑 | 件数 | 重量 | 比例 |
| 设计 | | | | | | | | |
| 制图 | | | | | 材料种类 | | | |
| 描图 | | | | | | | | |
| 校对 | | | | | | | | |
| 审核 | | | | | | | | |